

These Machines were designed to be rigid and stable enough to accommodate a large range of field applications, but light-weight and easy to handle. Each machine is powered by a smooth belt-drive system which is driven by a pneumatic motor, providing the most torque available on this size machine and variable RPM controls. With six different tool-holders and Gilman slides, this machine is able to produce quality finishes on all gasket-style flanges.

Advantages

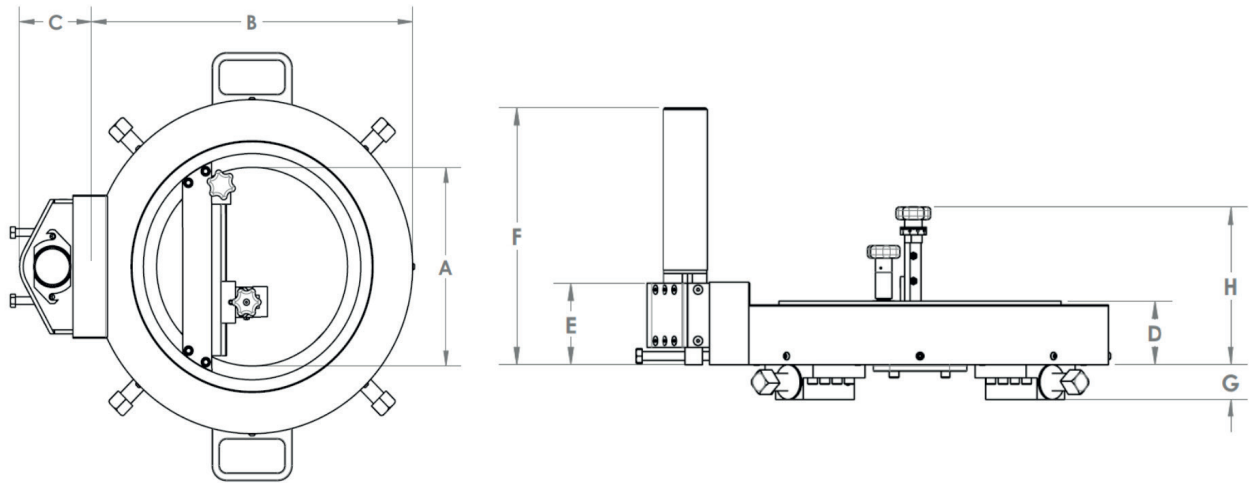
- Belt-driven
- Both radial and axial feeds
- Manual and automatic feeds
- All types of flanges can be machined
- All types of RMS finishes
- Multiple tool-holders for 3/8" and 1/2" tool bits
- Compound swivels to machine all angles from 0 to 90 degrees
- Lightweight design helps to mitigate and eliminate lifting equipment, pinch points, and back strain
- Rigid aluminum construction to minimize weight
- All aluminum parts are hard coat anodized
- Ergonomic lifting handles
- Adjustable jaws for fast 4-jaw set up
- All rotating parts concealed behind solid cover



Applications

- Refineries
- Chemical plants
- Shipyards
- Manufacturing facilities
- Petrochemical
- Oil and gas
- Raised face flanges
- Ring type joint
- Grayloc flanges
- All RMS finishes

OD Mount Aluminum Flange Facer



Description	Callout	ODF-10	ODF-13	ODF-16	ODF-20
Inside Diameter	A	10.125"	13.125"	16.125"	20.125"
Outside Diameter	B	15.5"	22"	25.5"	29.75"
Drive Projection	C	4"	2.75"	2.75"	2.75"
Height of Machine	D	2.313"	3.75"	3.75"	3.75"
Height of Drive Plate	E	2.563"	5"	5"	5"
Height of Motor	F	13"	15"	15"	15"
Height of Jaws	G	1.25"	2"	2"	2"
Height of Handle	H	7.5"	9.5"	9.5"	9"
RPM**		0-30	0 - 50	0 - 30	0-30
Weight of Machine		49 lbs	104lbs	124lbs	153lbs
Shipping Weight***		250lbs	330lbs	360lbs	378lbs
Shipping Dimensions		32" X 36" X 20"	36" X 42" X 20"	42" X 42" X 20"	42" X 45" X 20"

** Recommended air supply for proper performance = 3/4" diameter line with 70 cfm at 90 psi.

*** Shipping weight includes machine, motor, tool holders, oiler, air hose, spacers, and storage box.